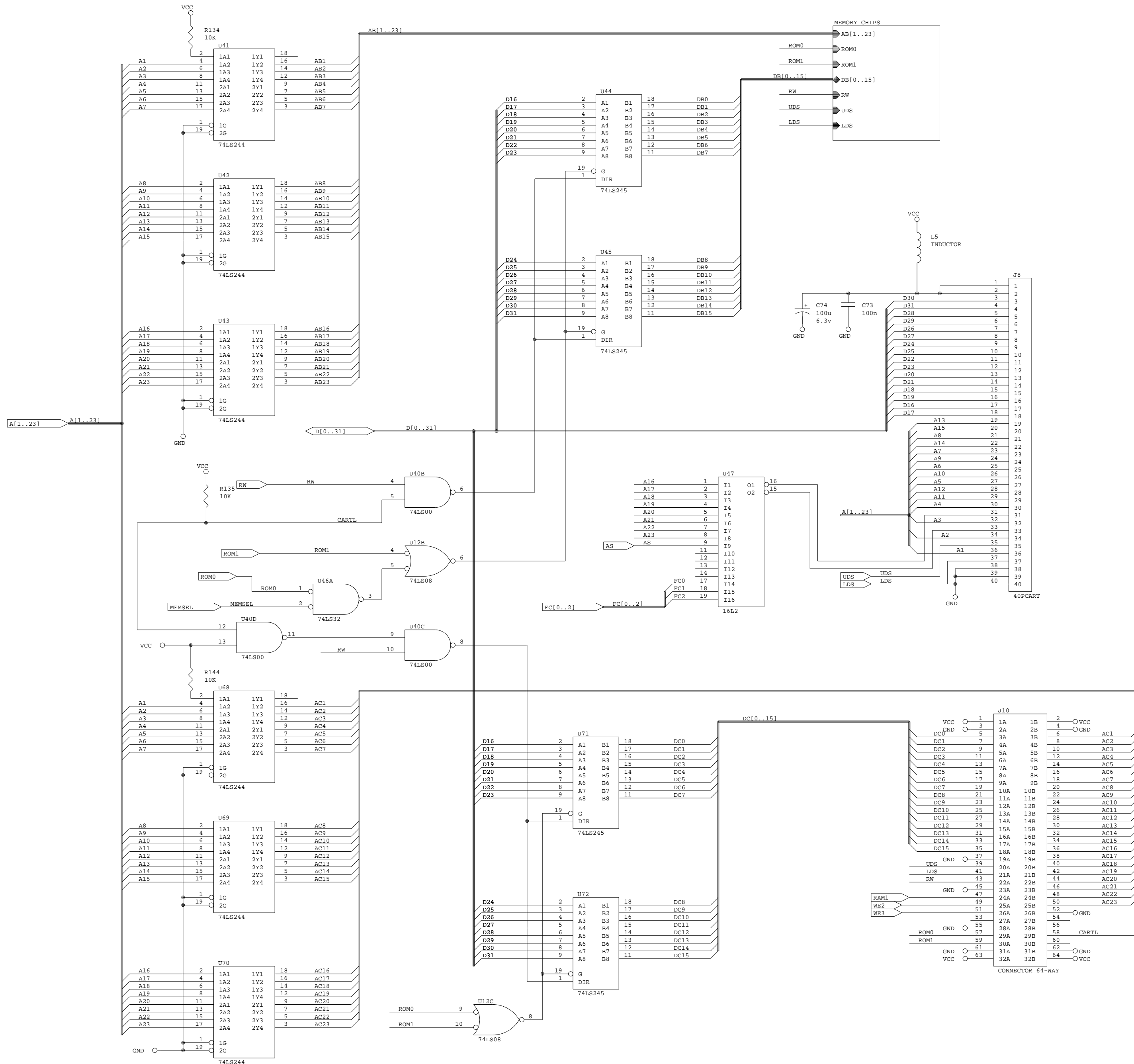
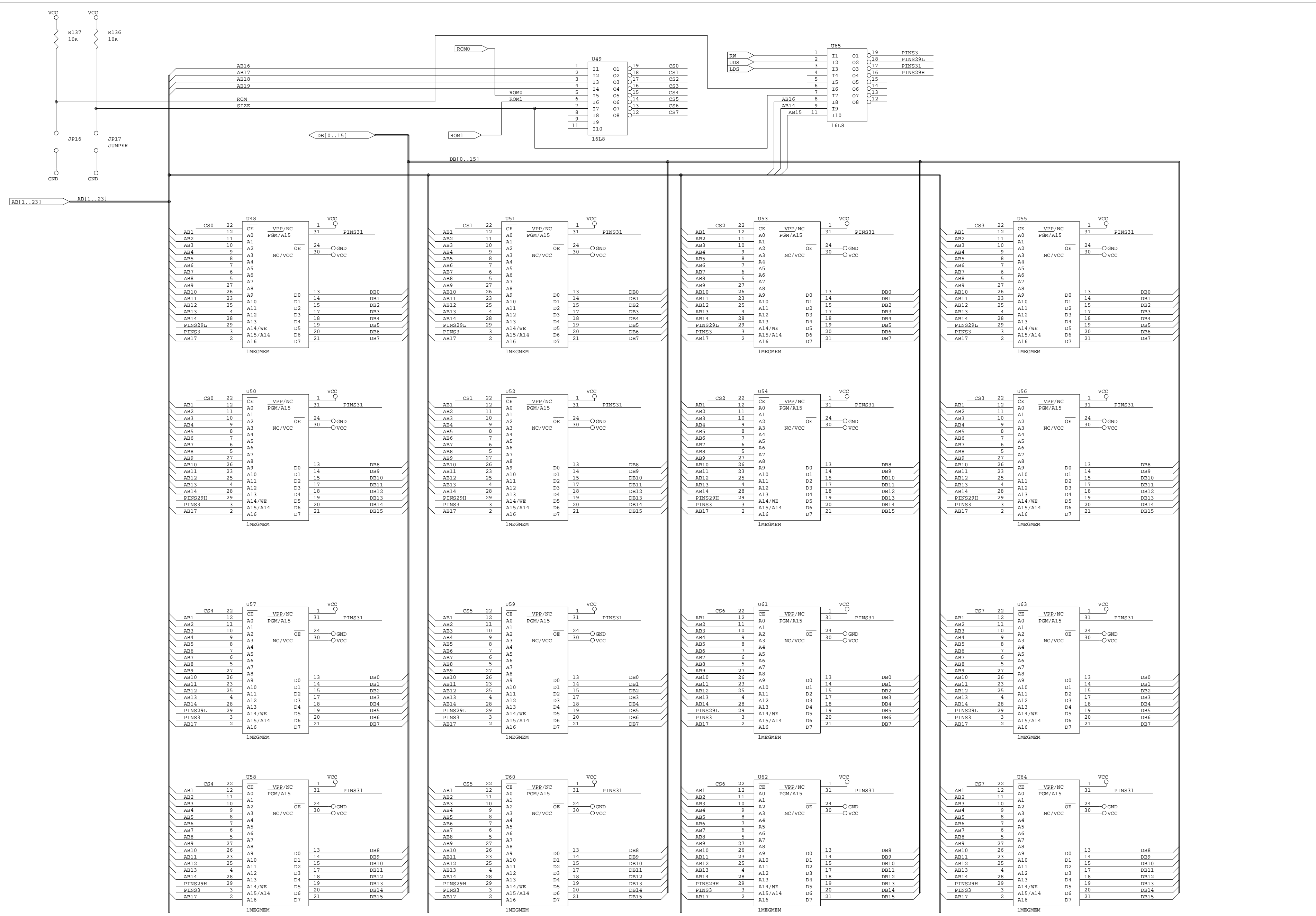
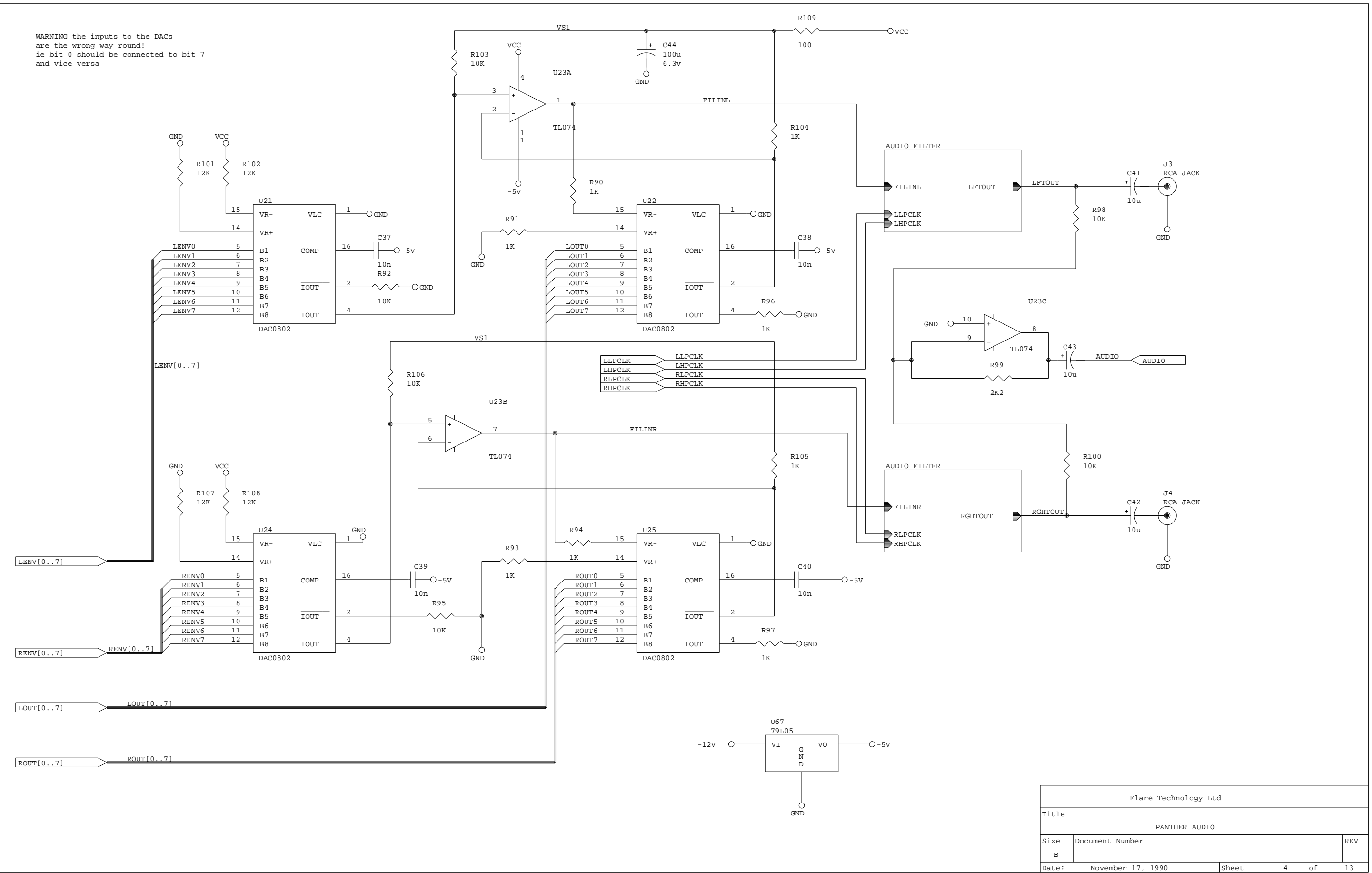


Flare Technology Ltd		
Title PANTHER PIO & COMMS		
Size B	Document Number	REV
Date: November 17, 1990	Sheet 2	of 13

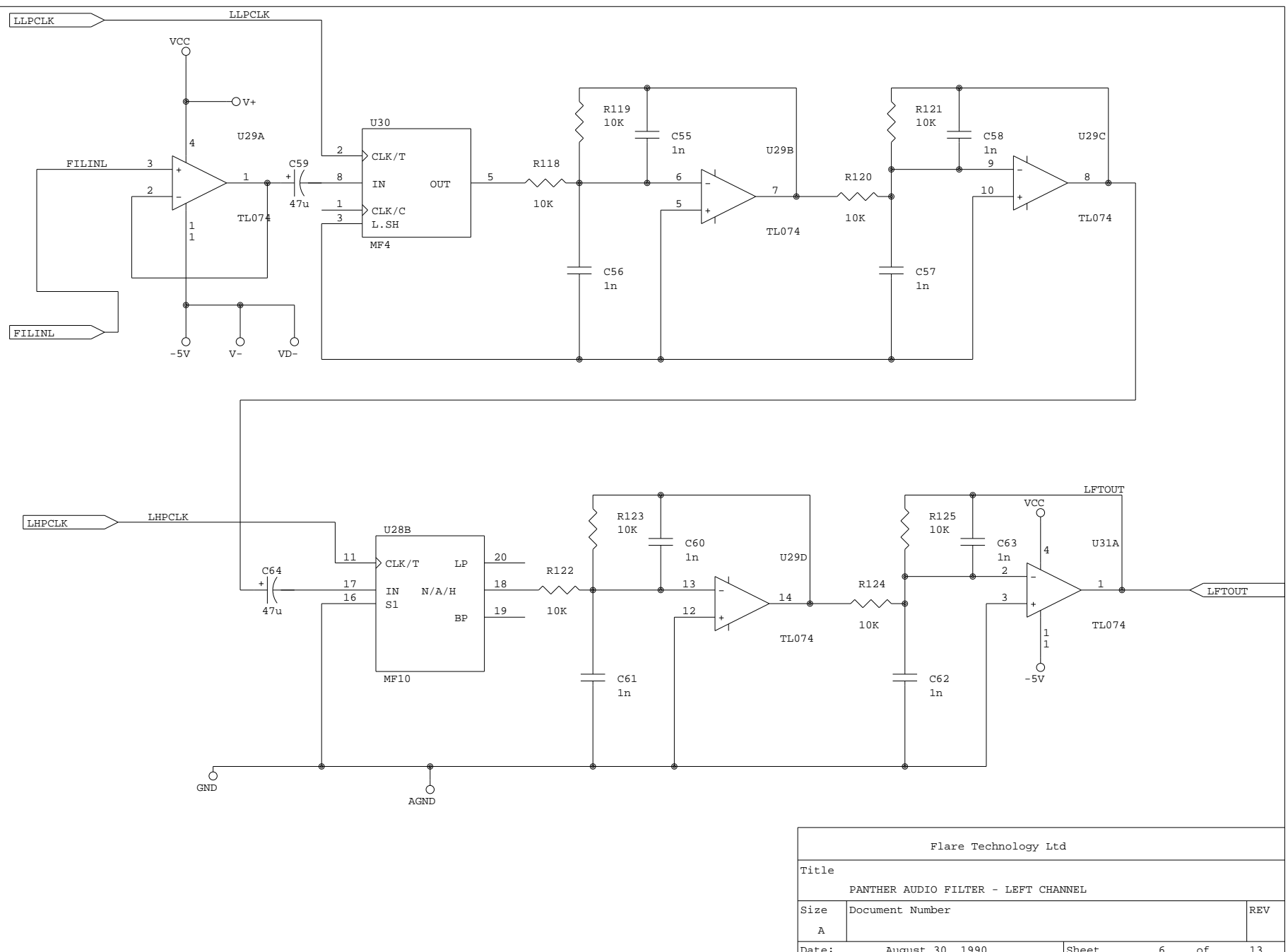




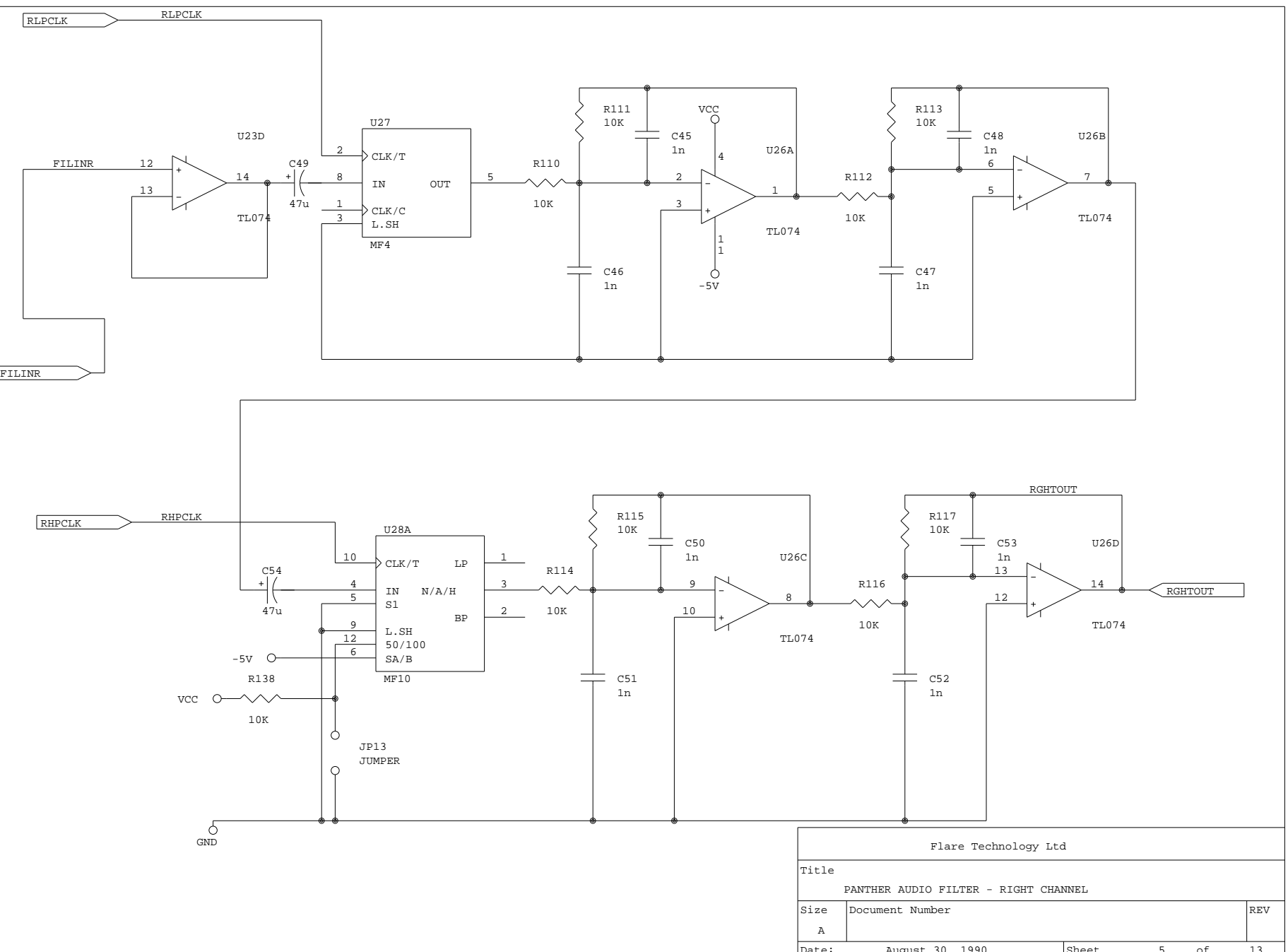
WARNING the inputs to the DACs are the wrong way round! ie bit 0 should be connected to bit 7 and vice versa



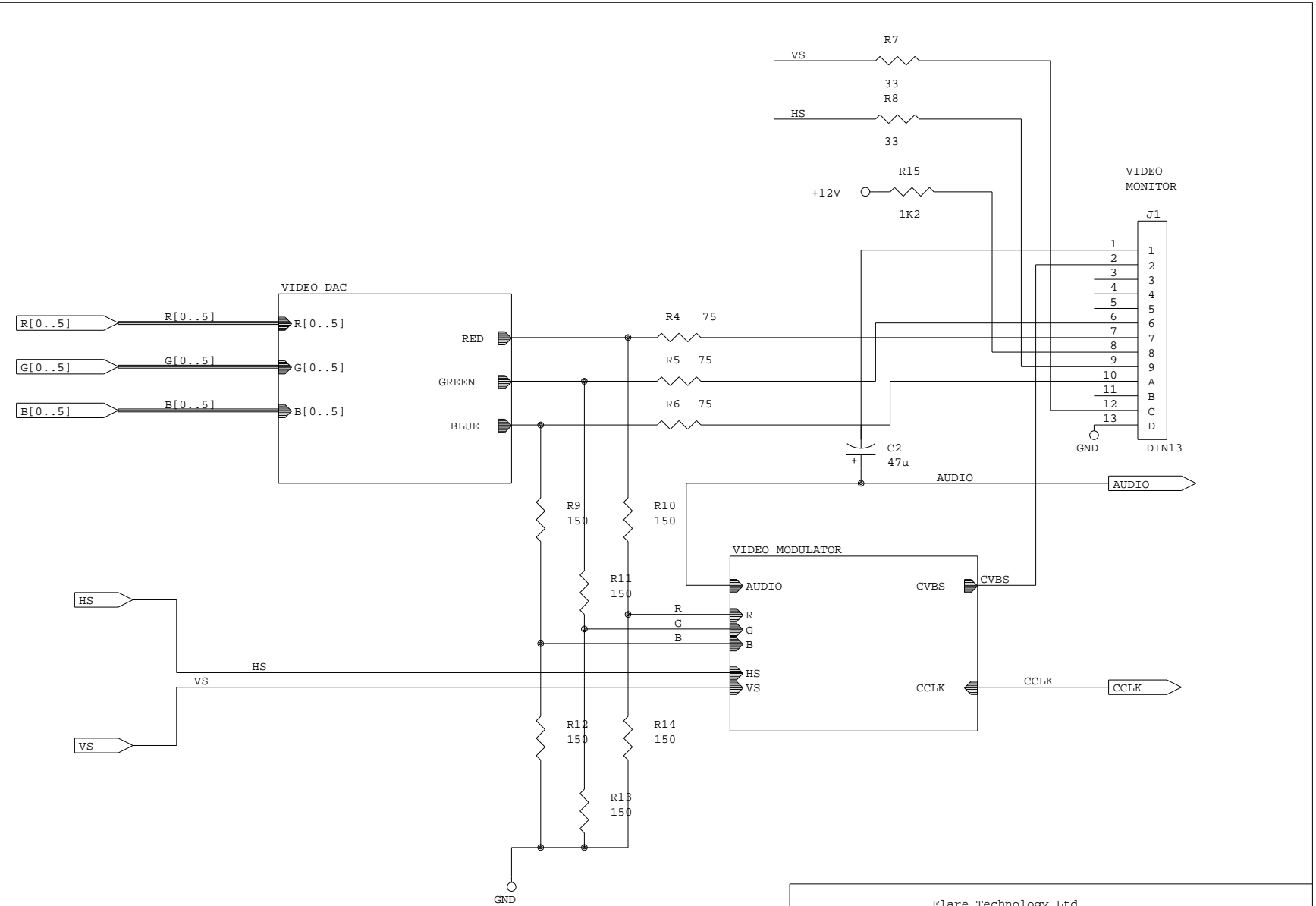
Flare Technology Ltd		
Title		
PANTHER AUDIO		
Size	Document Number	REV
B		
Date:	November 17, 1990	Sheet 4 of 13



Flare Technology Ltd		
Title PANTHER AUDIO FILTER - LEFT CHANNEL		
Size A	Document Number	REV
Date: August 30, 1990	Sheet 6	of 13

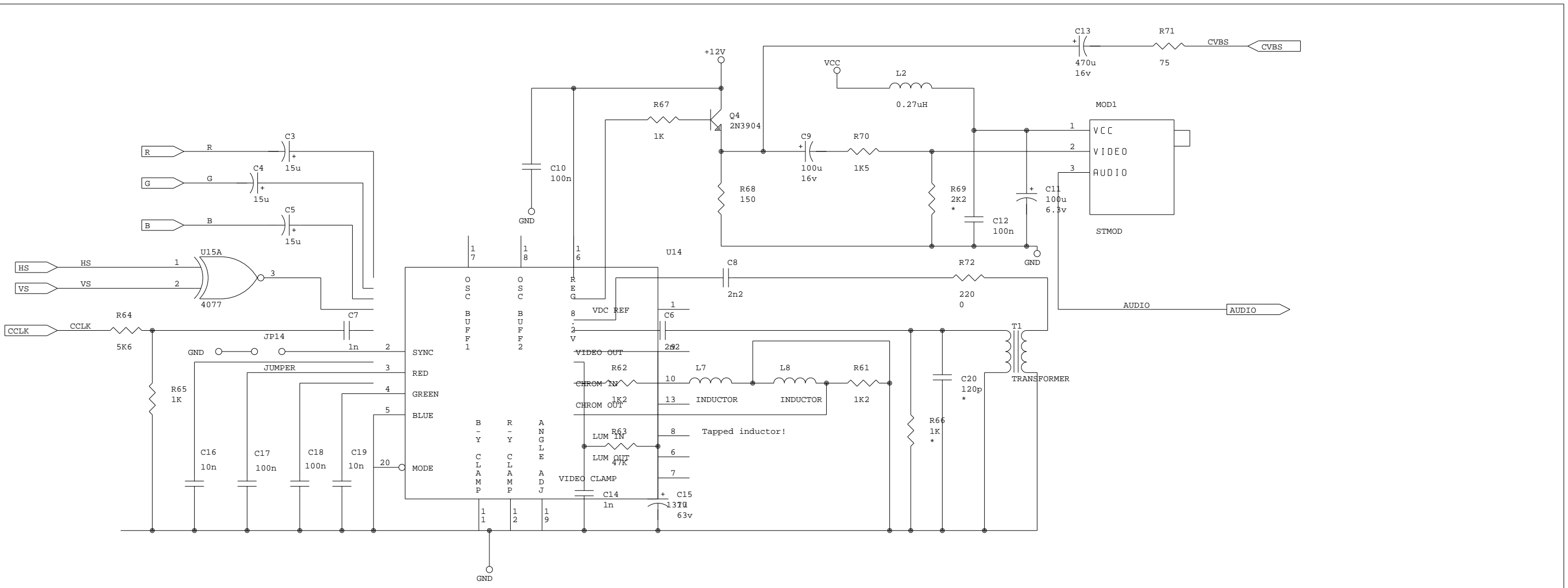


Flare Technology Ltd		
Title PANTHER AUDIO FILTER - RIGHT CHANNEL		
Size A	Document Number	REV
Date: August 30, 1990	Sheet 5	of 13

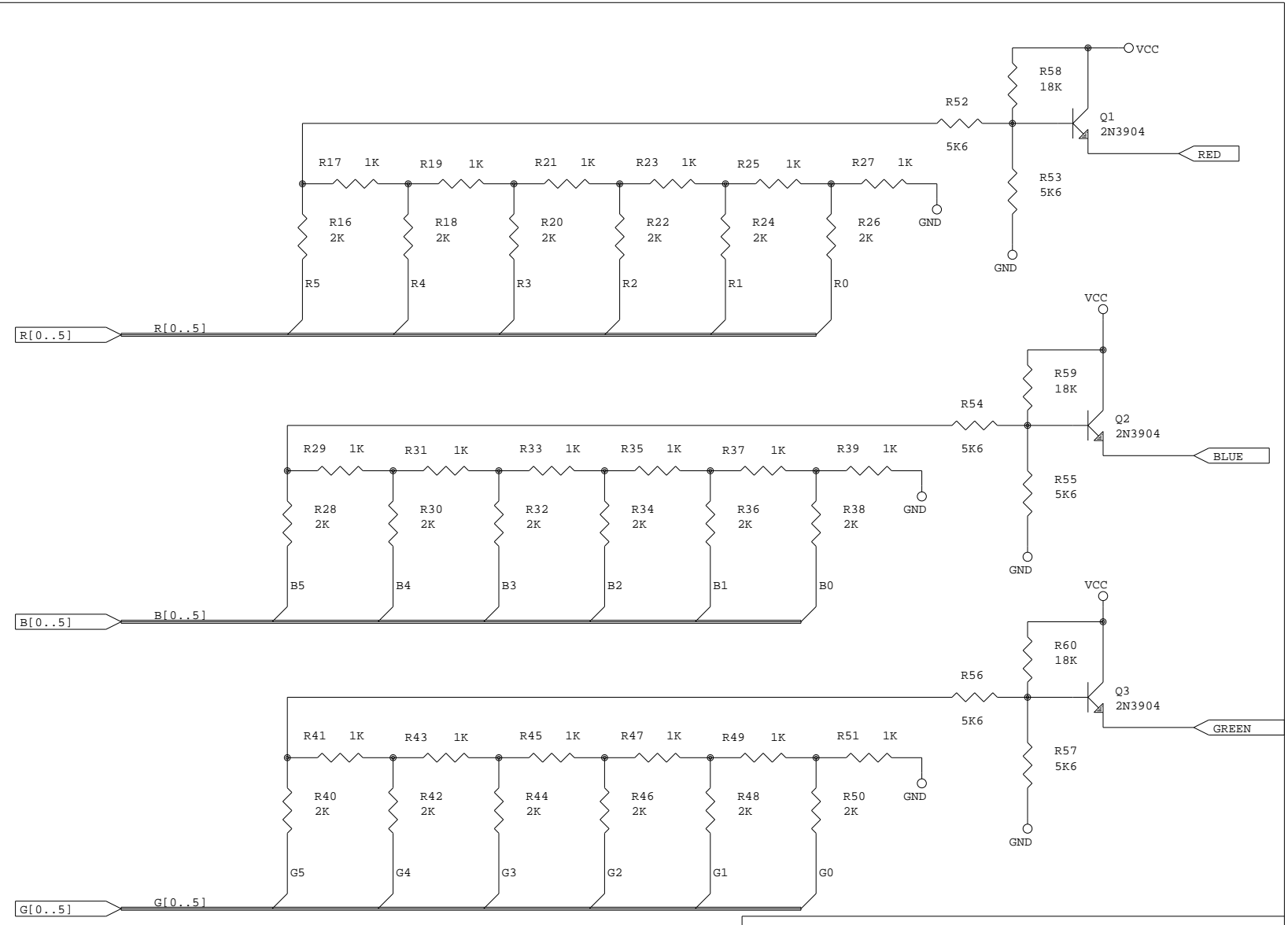


Flare Technology Ltd		
Title		
PANTHER VIDEO		
Size	Document Number	REV
A		
Date:	November 17, 1990	Sheet 7 of 13

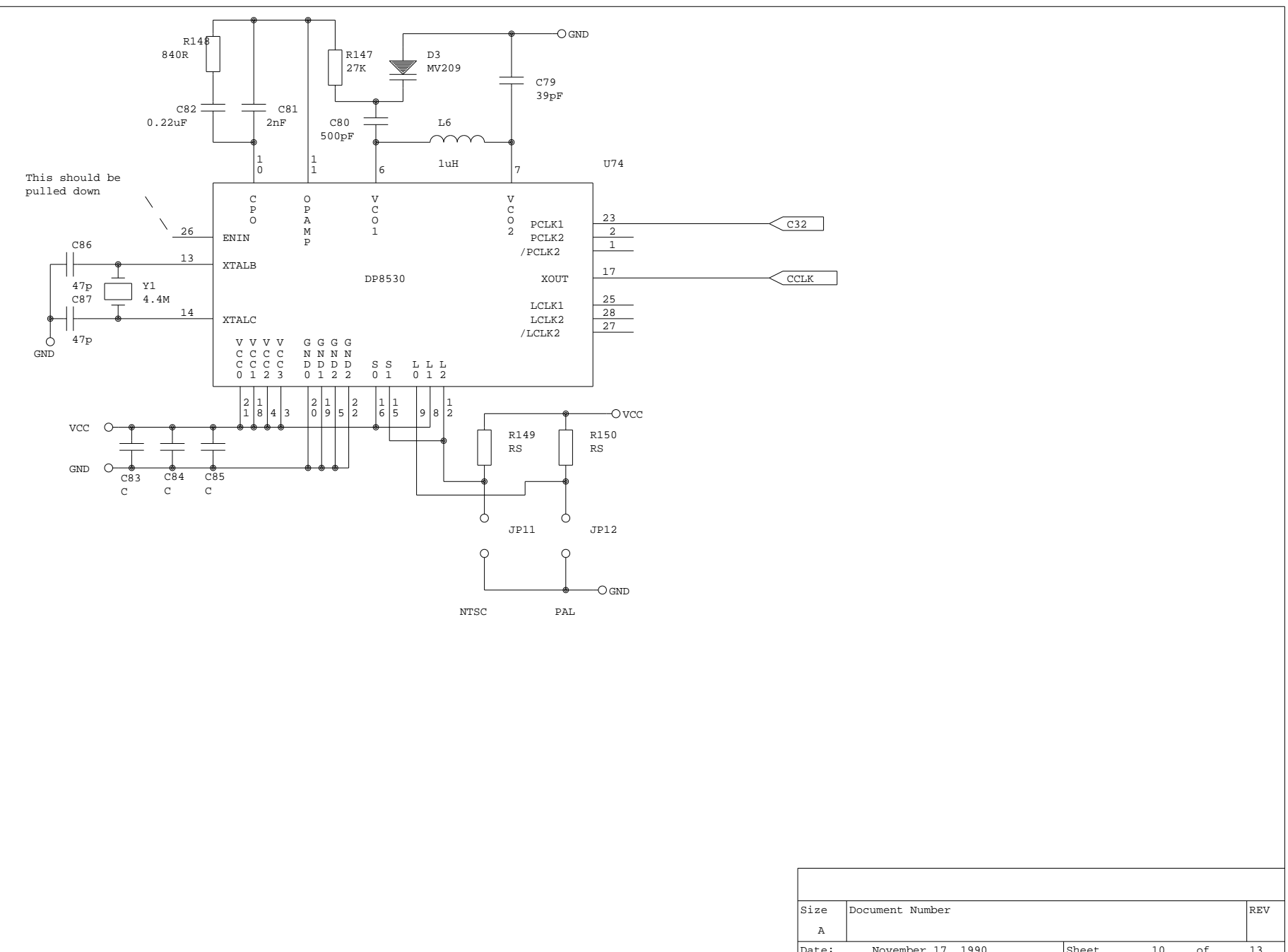


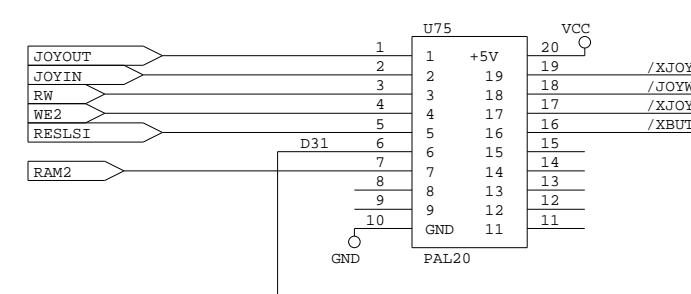


Flare Technology Ltd		
Title PANTHER VIDEO MODULATOR		
Size B	Document Number	REV
Date: August 30, 1990	Sheet 8	of 13

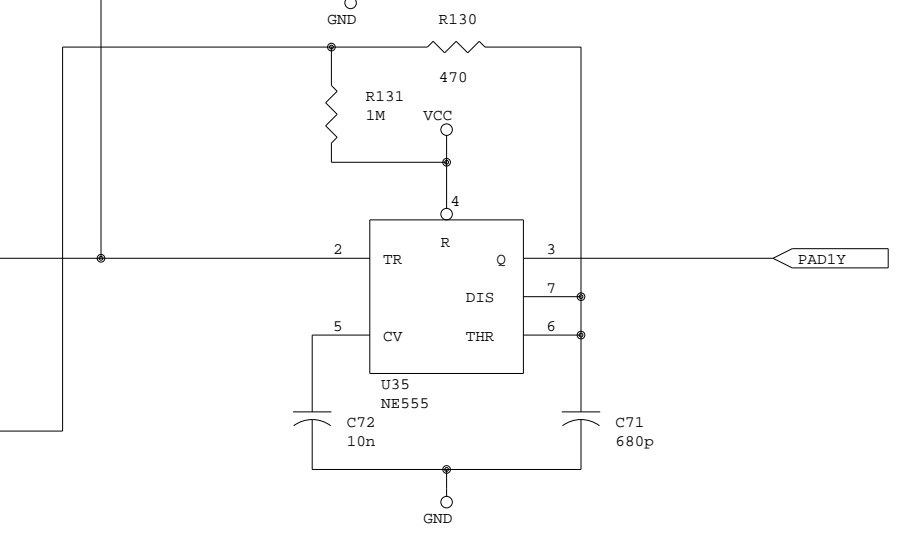
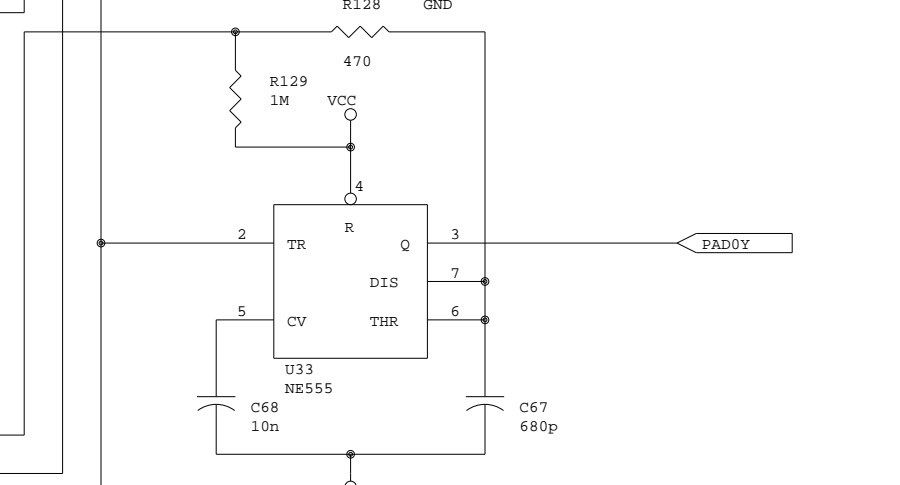
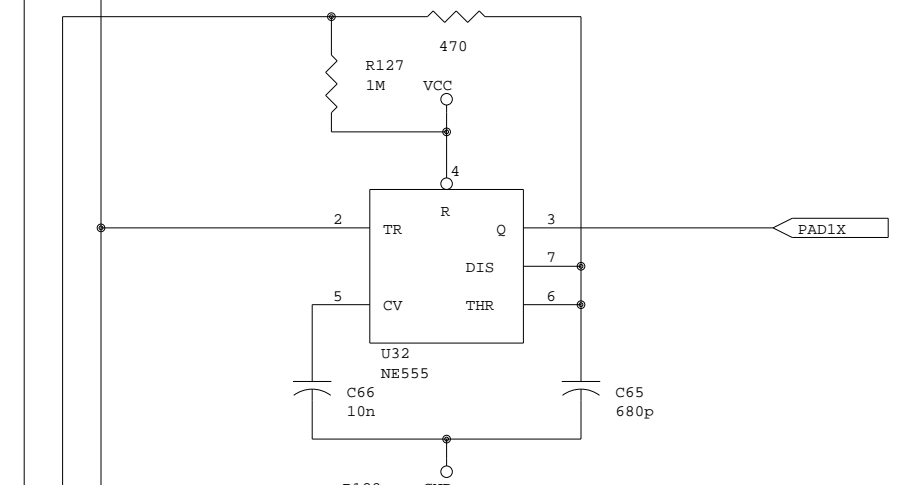
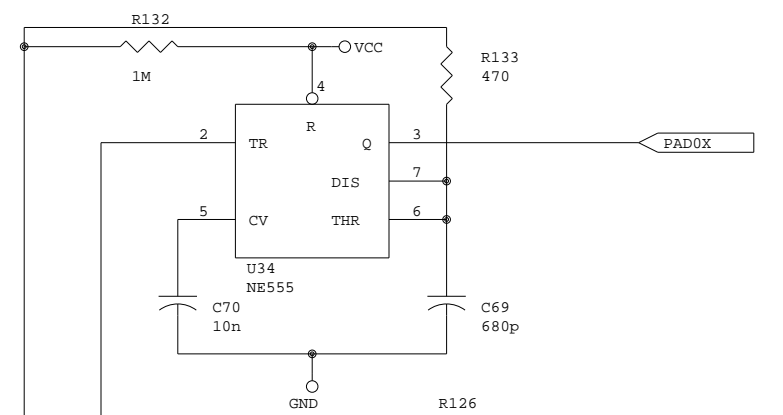
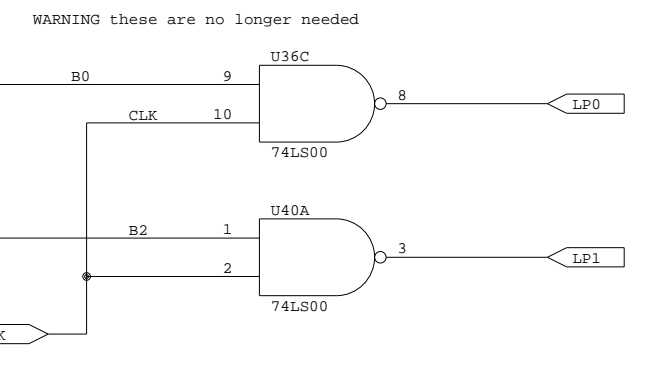
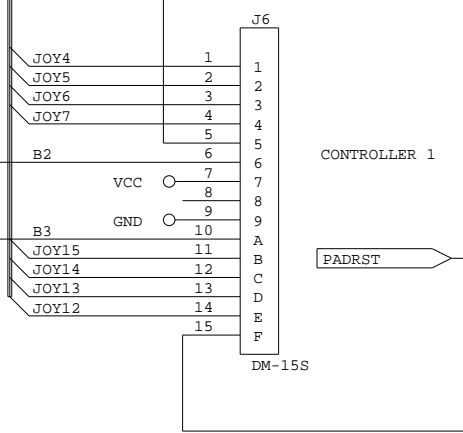
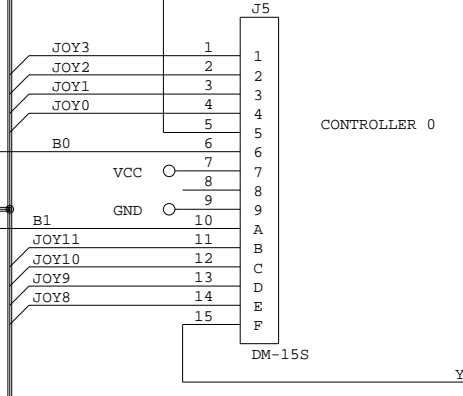
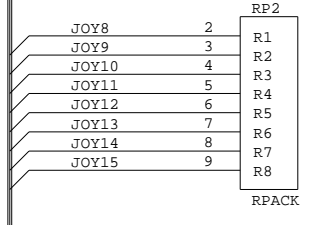
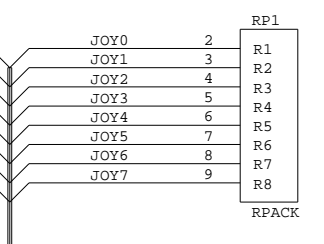
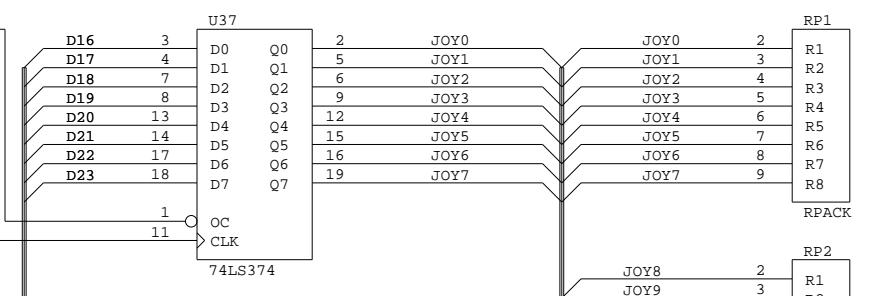
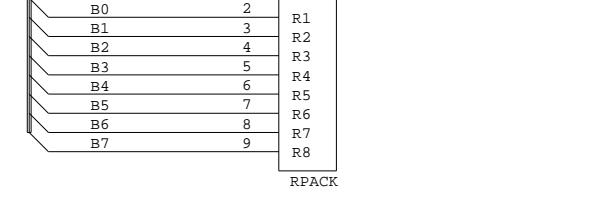
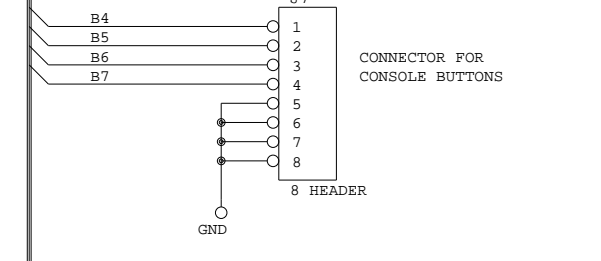
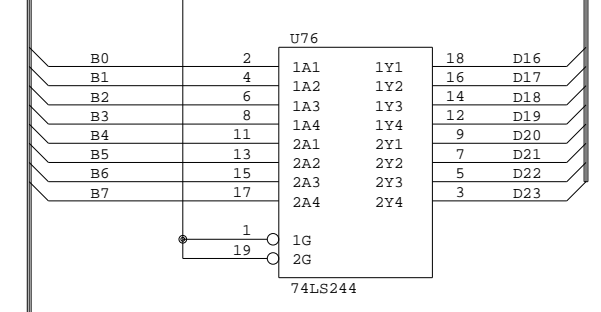
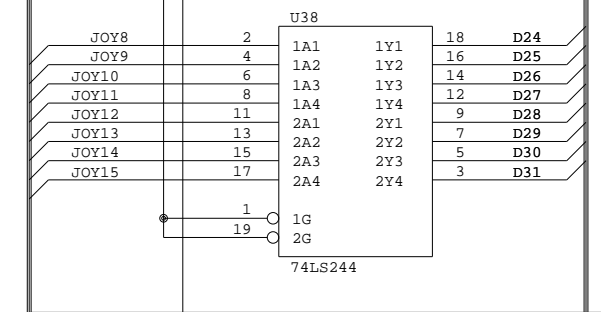
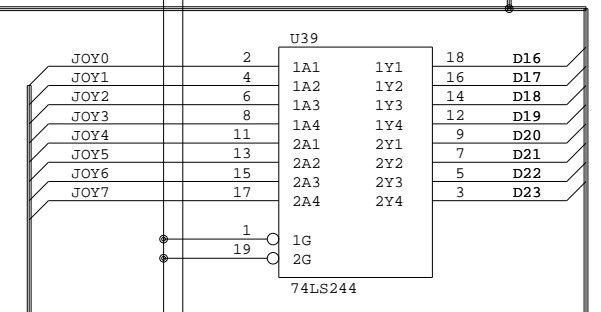


Flare Technology Ltd		
Title		
PANTHER VIDEO DAC		
Size	Document Number	REV
A		
Date:	September 7, 1990	Sheet 9 of 13

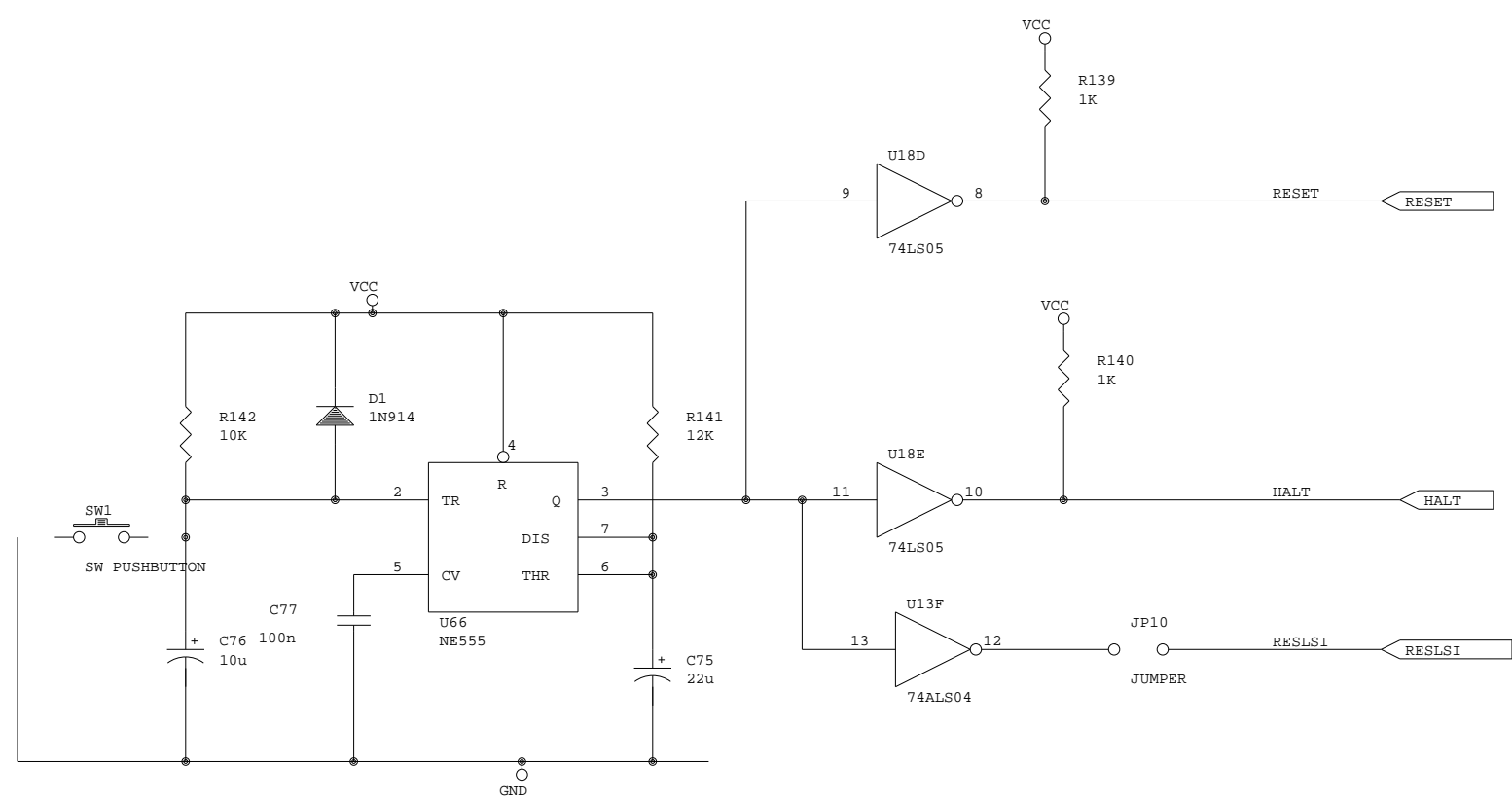




D[0..31]



Flare Technology Ltd		
Title	PANTHER JOYSTICKS	
Size	Document Number	REV
C		
Date:	November 17, 1990	Sheet 11 of 13



Flare Technology		
Title		
PANTHER RESET		
Size	Document Number	REV
A		
Date:	September 7, 1990	Sheet 3 of 13